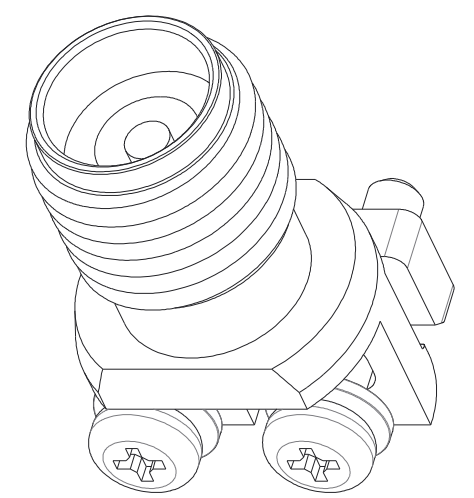
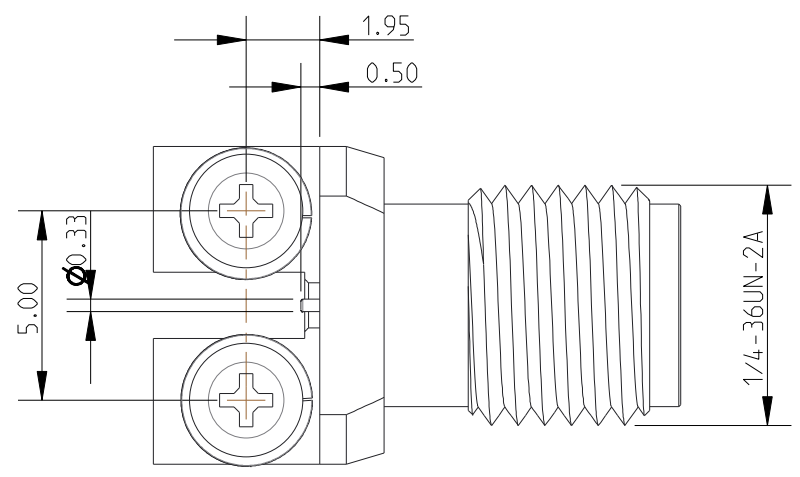
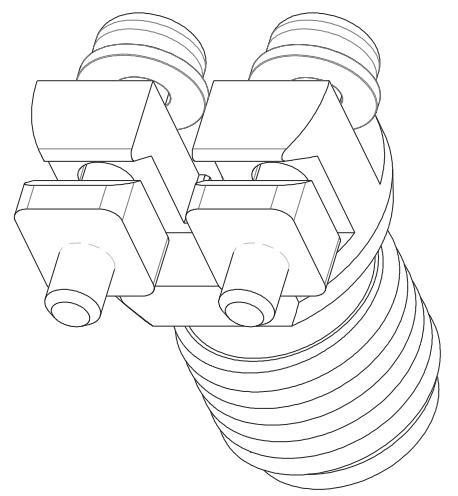
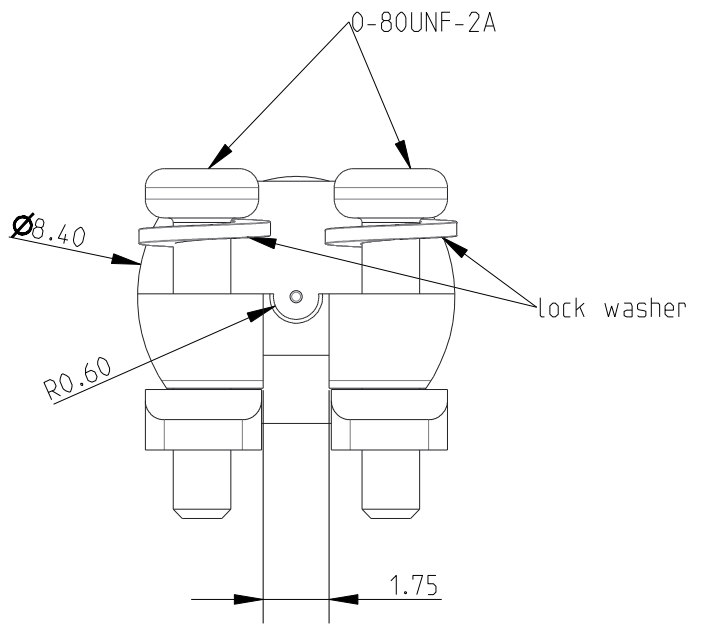
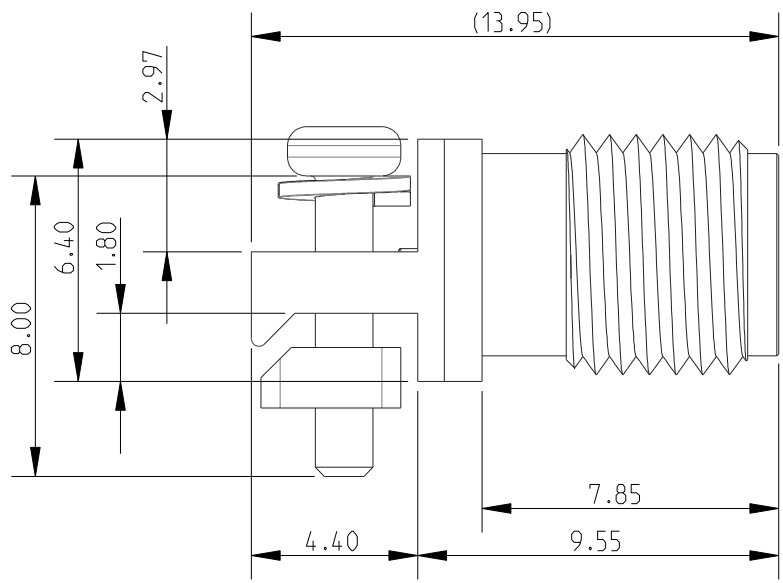
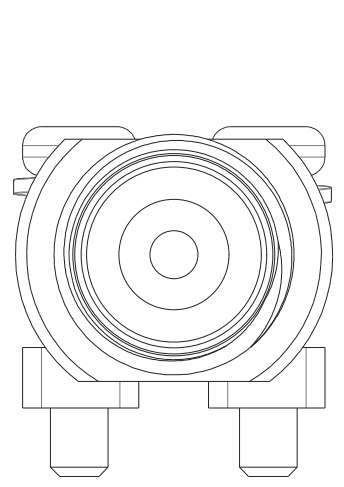


This document consists of proprietary information and is confidential. Any use, reproduction, distribution, or disclosure of this information is strictly prohibited without the express written consent of PISAS.

COPYRIGHT PERFORMANCE INTERCONNECT SAS 2024. All Rights Reserved.

REV.	DESCRIPTION	DATE	APPROVAL
A	RELEASE FOR PROTO RUN	Oct-29-24	
B	ADD LOCK WASHERS	23-JAN-25	



- Electrical parameters:
1. Impedance: 50Ω
  2. Frequency: DC 40GHz
  3. VSWR: ≤ 1.3
  4. Dielectric withstand voltage: 500Vrms
  5. Insulation resistance: 5000MΩ

Description	Material	Plating
Dielectric	PTFE/PEI	NA
Outer conductor	Brass	Electroless Ni
Centre conductor	Beryllium Copper	Gold

UNLESS OTHERWISE SPEC.	APPROVAL	DATE	PERFORMANCE INTERCONNECT SAS		
<small>DIMENSIONS ARE IN MM TOLERANCES ON WHOLE No. +/- DECIMAL: .X +/- 0.5 .XX +/- 0.25 .XXX +/- 0.13 X/X +/- ANGLE +/- HOLE DIA +/- 0.08 MAXIMUM WARP 0.10 PER 100mm OF LENGTH</small>	DRAWN	Oct-29-24	<b>TITLE:</b> 2.92MM Female Right Angle for PCB		
	CHECKED				
	PROJ.ENG.				
	MANUF.ENG.				
MATERIAL:	REMOVE ALL BURRS AND SHARP EDGES		SIZE: <b>B</b>	PART NO. ART292K	REV. B
FINISH: SEE NOTES	DO NOT SCALE DRAWING		SCALE: 5.000	SHEET 1 OF 1	