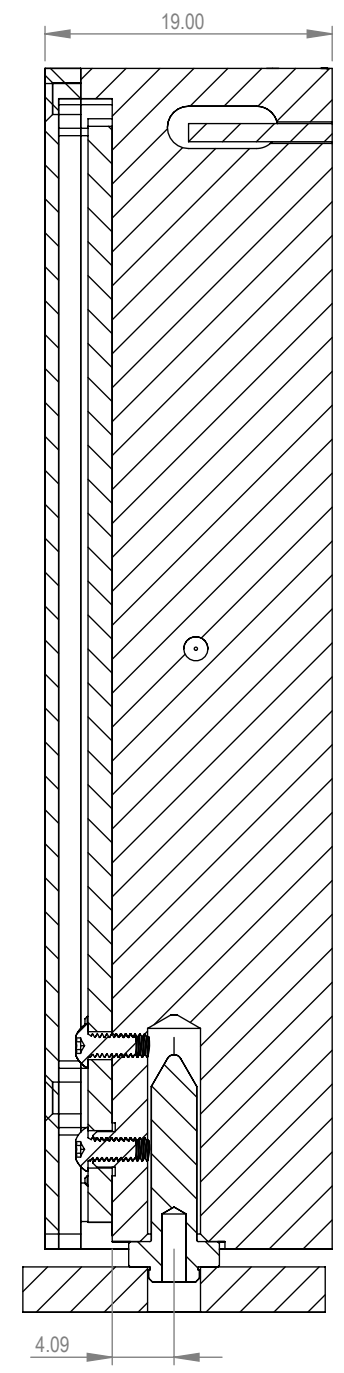
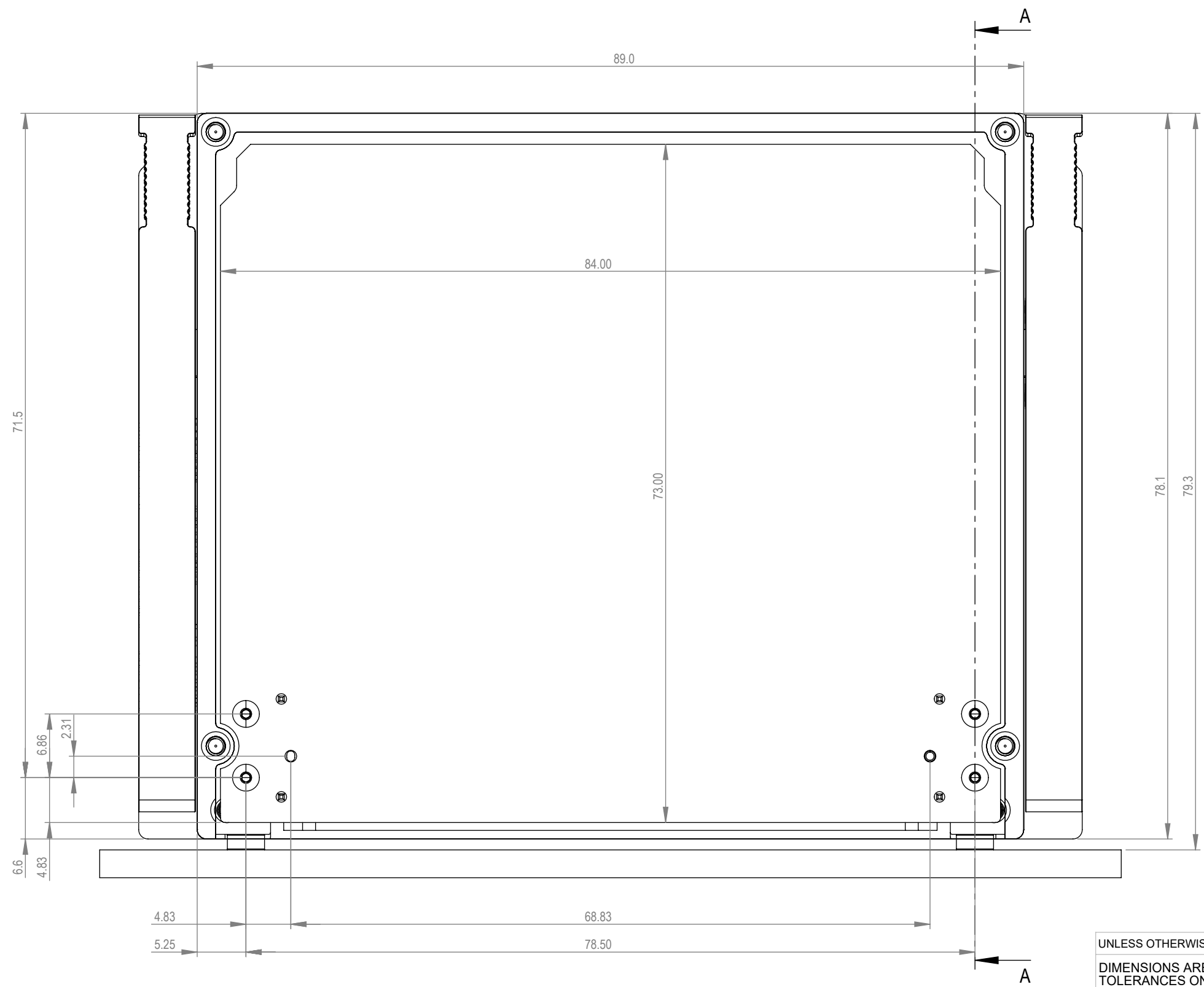


This document consists of proprietary information and is confidential. Any use, reproduction, distribution, or disclosure of this information is strictly prohibited without the express written consent of PISAS.

COPYRIGHT PERFORMANCE INTERCONNECT SAS. All Rights Reserved.

ZONE	REV.	DESCRIPTION	DATE	APPROVED



UNLESS OTHERWISE SPECIFIED:		NAME	DATE	PERFORMANCE INTERCONNECT SAS	
DIMENSIONS ARE IN MM		DRAWN		TITLE:	
TOLERANCES ON DECIMAL:		CHECKED		VNX+	
.X	+/- 0.20	ENG APPR.		PISAS MECHANICAL OUTLINE	
.XX	+/- 0.10	MFG APPR.		SIZE	DWG. NO.
.XXX	+/- 0.05	Q.A.		B	VNX + PISAS
X/X	+/-			REV.	1
ANGLE	+/-			SCALE: 2:1	WEIGHT:
HOLE DIA.	+/-0.08			SHEET 1 OF 1	
MATERIAL	SEE NOTES	REMOVE ALL BURRS AND SHARP EDGES			
FINISH	SEE NOTES	DO NOT SCALE DRAWING			